

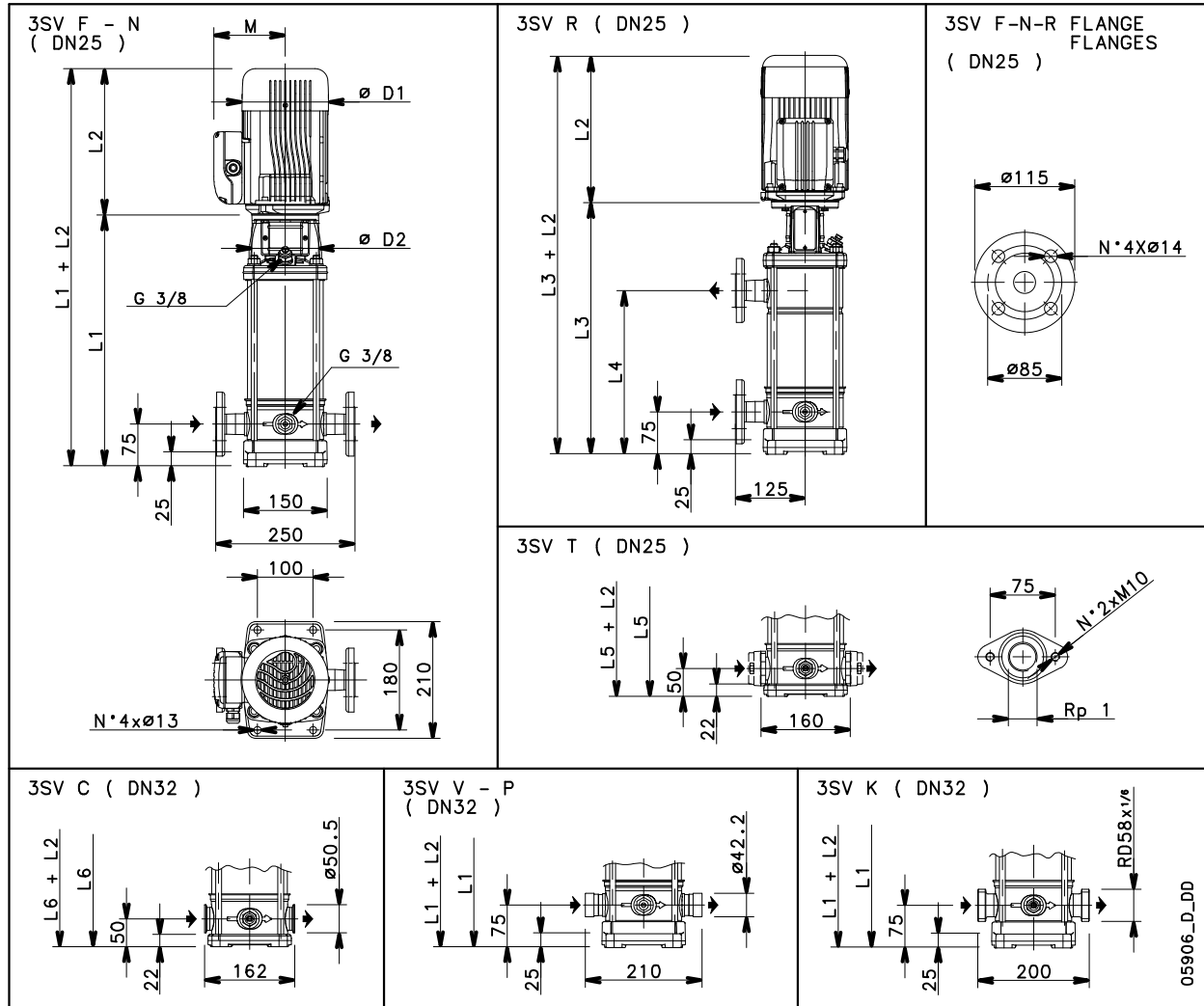


# e-SV Series

VERTICAL MULTISTAGE ELECTRIC PUMPS

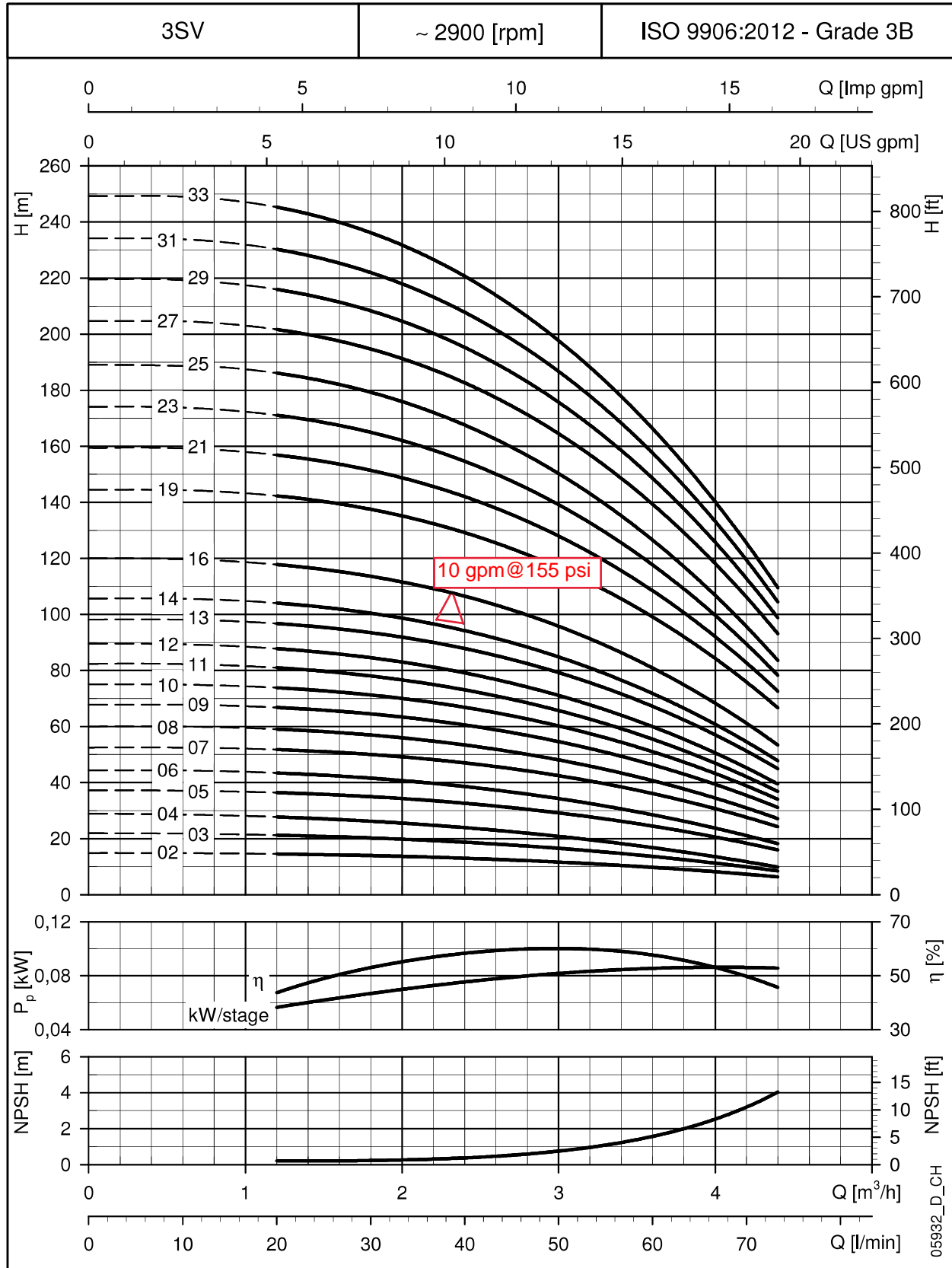
**ErP 2009/125/CE**

**3SV SERIES  
DIMENSIONS AND WEIGHTS AT 50 Hz, 2 POLES**



PUMP TYPE	MOTOR		DIMENSIONS (mm)													WEIGHT kg	
	kW	SIZE	L1	1 ~	3 ~	L3	L4	L5	L6	M		D1		D2	PUMP	ELECTRIC PUMP	
3SV16../D	1,5	90	558	263	263	558	387	533	533	137	129	155	155	140	15,2	28,2	

**3SV SERIES  
OPERATING CHARACTERISTICS AT 50 Hz, 2 POLES**



These performances are valid for liquids with density  $\rho = 1.0 \text{ Kg/dm}^3$  and kinematic viscosity  $\nu = 1 \text{ mm}^2/\text{sec}$ .